

WHAT CAN YOU DO?

call, write, attend, march, support, join, or, if you've got another idea, in the immortal words of Scoop Nisker- "if you don't like the news go out and make some of your own".

A public education forum on
THE TRUE COST OF WAR

March 19 6-9pm
SEIU Local 1021 Union Hall
350 Rhode Island Street SF



On the sixth anniversary of the invasion of Iraq **Jack Rasmus**, a former union president, author and professor of economics will speak about the war, militarism and the economic meltdown, followed by a discussion. **Food will be served at 6pm.** Program begins at 6:45



OCCUPATION IS A CRIME
Iraq, Afghanistan, Palestine

MAR. 21 11AM
March & Rally
Justin Herman
Plaza, SF

6TH ANNIVERSARY OF
THE INVASION OF IRAQ

YES WE CAN
**END WAR &
OCCUPATION**

MARCH 21
Labor Contingent:
Meet for pre-march
RALLY:
Justin Herman
Plaza 10:30 am

SUPPORT GI RESISTANCE

IRAQ VETERANS AGAINST THE WAR

<http://ivaw.org/support>

united for peace & justice bayarea

is a regional, movement building coalition that coordinates and supports the work of existing local groups and strives to strengthen or create solidarity where it is lacking. We link the wars abroad with the assaults at home, and U.S. militarism to the corporate economic interests it serves. We work to make the peace movement a strong ally to movements for social and economic justice in the U.S. and abroad.

INDIVIDUALS AND ORGANIZATIONS are encouraged to participate:

web: www.upj-bayarea.org/ email: ufpjbayarea@mac.com phone: 415 863 3771

LET THEM KNOW
WHAT YOU THINK

Barbara Boxer - 415-403-0100
Dianne Feinstein - 415-393-0707
Nancy Pelosi - 415-556-4862

White House
www.whitehouse.gov/contact/

comment desk
202-456-1111

It is Time to Address the Economic Crisis
by Cutting Military Spending

"A nation that continues year after year to spend more money on military defense than on programs of social uplift is approaching spiritual death."

-Dr Martin Luther King Jr April 4 1967

Dr. King taught us we had to move beyond war if our country and our world were to be safe and prosperous and secure. He taught us that we could - and that we must - reshape our world so that poverty, racism and war no longer define our reality. And today, in this springtime of hope, to Dr. King and to the movements of which he was a part, we say "Yes We Can" organize a new world of equality and justice, a world beyond war.

Beyond War
a new economy
is possible.

www.unitedforpeace.org

march 19 2009

another un-happy Birthday

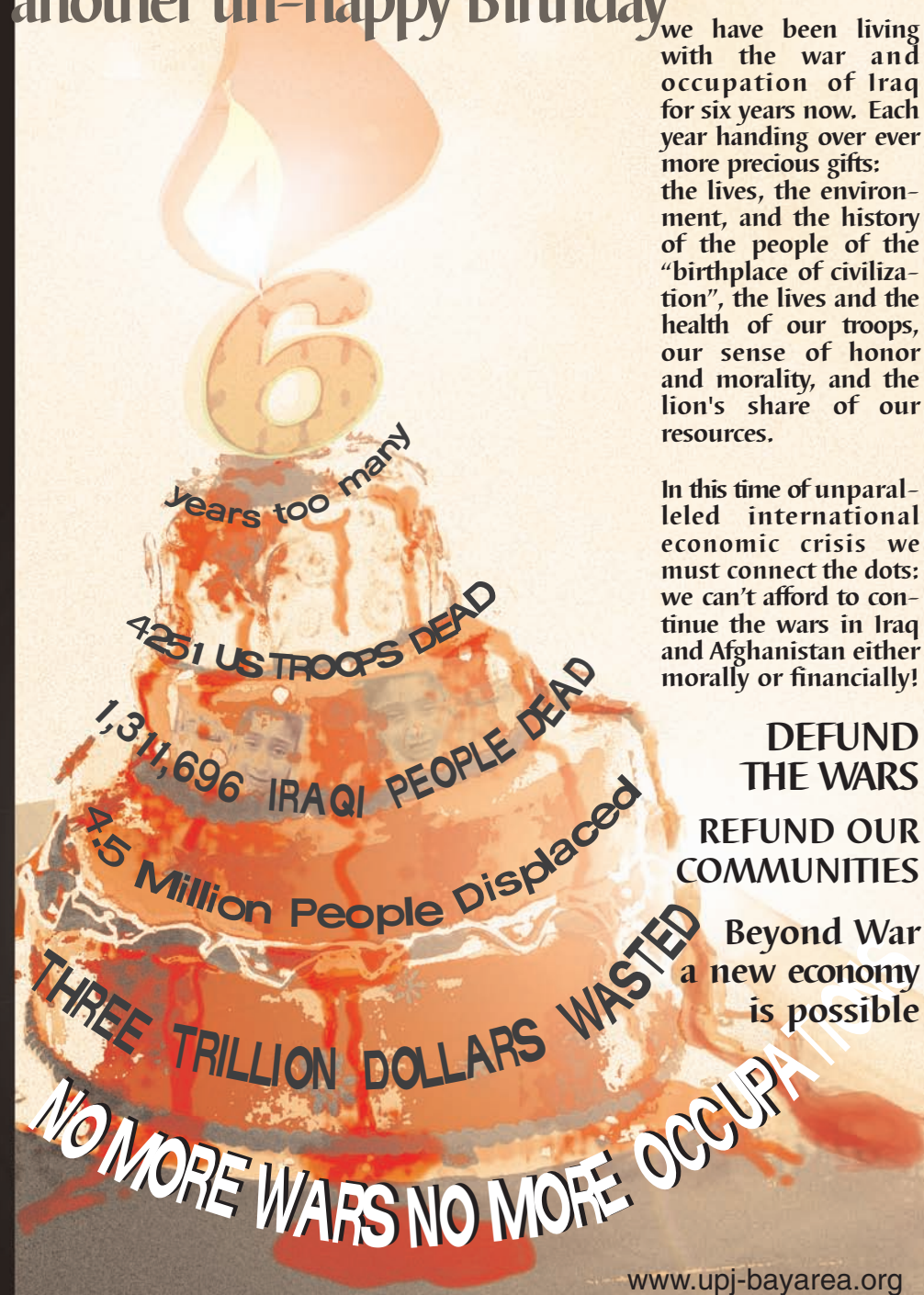
we have been living with the war and occupation of Iraq for six years now. Each year handing over ever more precious gifts: the lives, the environment, and the history of the people of the "birthplace of civilization", the lives and the health of our troops, our sense of honor and morality, and the lion's share of our resources.

In this time of unparalleled international economic crisis we must connect the dots: we can't afford to continue the wars in Iraq and Afghanistan either morally or financially!

**DEFUND
THE WARS**

**REFUND OUR
COMMUNITIES**

Beyond War
a new economy
is possible



www.upj-bayarea.org

Some people believe the War in Iraq is winding down and we don't need to be so concerned about it anymore. Try telling that to someone with loved ones in Iraq.

MEANWHILE PINK SLIPS FLOOD THE NATION. LITTLE IS DONE TO STOP FORECLOSURES. GROWING MILLIONS GO WITHOUT HEALTH CARE. SCHOOL DISTRICTS STRUGGLE TO STAY AFLOAT. HONEST PEOPLE ASK, "IS THE STIMULUS PACKAGE ENOUGH?"

BUT THE PENTAGON PORK NEVER STOPS. A MILITARY ESCALATION IS BEING PLANNED FOR AFGHANISTAN. LEADERS OF THE MILITARY-INDUSTRIAL COMPLEX HAVE GREAT JOB SECURITY WHILE OTHERS STRUGGLE TO MAKE ENDS MEET WITH UNEMPLOYMENT CHECKS. CERTAINLY, THE PENTAGON'S DEEP POCKETS CONTRIBUTE TO OUR COUNTRY'S SWIFT DECLINE.

On **MARCH 19th 2009** the 6th Anniversary of the start of the **WAR in Iraq**, Please Join us in saying:

**DEFUND WAR AND OCCUPATION
REFUND OUR COMMUNITIES.
BRING THEM ALL HOME NOW!**

**in the morning, at noon, during the evening
at a BART STATION near you.**

BART CONNECTS OUR COMMUNITIES LITERALLY.

We shall gather at the stations as a way to connect the dots between our various communities and issues. Different groups are planning actions at individual BART stations; actions can include street theater, music, leafleting, projection of images; tabling etc. Whatever speaks most clearly for you. Join in an action. Plan an action of your own. Just come out. Hand out leaflets or pick up a leaflet for yourself.

call for info: 415 565 0201 N924 or 415 863 3771
sschwartz@afsc.org www.ufpj-bayarea.org ufjpbayarea@mac.com

Come OUT! join an action, or create your own :

12th St. Oakland Center

16th St. Mission (SF) – Cop & Migra Busters. SF Food Not Bombs

Unconventional Action in the Bay, ARCO- Collective Action and Resistance 3:30-7

19th St. Oakland

24th St. Mission (SF) – American Friends Service Committee 7-10 am

Ashby (Berkeley) – Labor w/ others Code Pink

Balboa Park (SF) – Women for Genuine Security 4:30

Bay Fair (San Leandro)

Castro Valley

Civic Center (SF) – Iraq Veterans Against the War 4 pm

Coliseum/Oakland Airport

Colma

Concord – Code Pink at 5 pm

Daly City – Pacifica Women in Black, Pacifica Peace People – 7-9 am and 4-6 pm

Downtown Berkeley – Code Pink in pm

Dublin/Pleasanton – Grandmothers Against War in 7-9 am and 4-6 pm

El Cerrito del Norte – East Bay Peace Action at 4 pm

El Cerrito Plaza – El Cerrito Democratic Club at 4 pm

Embarcadero (SF) – No Cal War Tax Resistance. 7:30am and 4 pm

Fremont

Fruitvale (Oakland) – Alameda Peace Group. BayPeace

Glen Park (SF) –

Hayward

Lafayette (across street) Lafayette Crosses, Mt Diablo Peace & Justice 7 pm

Lake Merritt (Oakland) Grandmothers Against War. am & pm

MacArthur (Oakland) Friends of the Peoples Weekly World 4 pm

Millbrae

Montgomery St. (SF) – Post Street exit. Iraq Moratorium at 11:30

North Berkeley – US Labor Against War w/ others

North Concord/Martinez

Orinda

Pittsburg/Bay Point – Pleasant Hill

Powell – Code Pink at noon

Richmond –

Rockridge (Oakland) – Wellstone Dem REnewal – 7-9 am, possibly also in pm

San Bruno

San Francisco Int'l Airport

San Leandro

South Hayward

South San Francisco

Union City

Walnut Creek

West Oakland

Livermore – TriValley Cares and Western States Legal Foundation



call 415-452-1526 for contact info, for times & stations

"...Good wishes are not sufficient; we must become actively engaged.

-the Dalai Lama

American Friends Service Committee www.afsc.org
BAYPeace www.baypeace.org
Bay Area Labor Committee for Peace & Justice
www.labor-for-peace-and-justice@igc.org
www.codepinkalert.org info@codepinkalert.org
CODEPINK
Cop and Migra Busters
Direct Action to Stop War www.bayareadirectaction.wordpress.com
East Bay Peace Action www.peaceaction.org/gen
Grandmothers Against War www.gawba.org
Iraq Moratorium Campaign www.iraqmoratorium-sfbay.org
Iraq Veterans Against the War www.ivaw.org
Lafayette Crosses lafayettecrosses.blogspot.com
Mt. Diablo Peace and Justice Center www.mtdpc.org
Northern California War Tax Resisters www.nowartax.org
Pacifica Peace People www.pacificapeacepeople.net
Pacifica Women in Black www.bayareawomeninblack.org
People's Weekly World www.pww.org
San Francisco Food Not Bombs www.sffnb.org
Tri-Valley Cares www.trivalleycares.org
Unconventional Action in the Bay
US Labor Against the War www.uslaboragainstawar.org
United for Peace and Justice www.upj-bayarea.org
Veterans for Peace Chapter 69 www.vsasf.org
Wellstone Democratic RENEWAL www.wellstoneclub.org
Western States Legal Foundation www.wslfweb.org
Women for Genuine Security www.genuinesecurity.org

Deep gratitude to these sources for their generosity sharing their graphs, research and wisdom:

WAND Education Fund: www.wand.org

National Priorities Project: www.nationalpriorities.org

Barry Hermanson: www.barryhermanson.org



the price of war

Every gun that is made, every warship launched, every rocket fired signifies in the final sense, a theft from those who hunger and are not fed, those who are cold and are not clothed. This world in arms is not spending money alone. It is spending the sweat of its laborers, the genius of its scientists, the hopes of its children. This is not a way of life at all in any true sense. Under the clouds of war, it is humanity hanging on a cross of iron.

-Dwight D. Eisenhower April 16, 1953

True peace is not merely the absence of tension: it is the presence of justice.
-MARTIN LUTHER KING, JR.

IT IS PAST TIME TO DEFUND WAR and OCCUPATION!

What would that mean?

In Iraq

*Immediate withdrawal of all
occupying forces*

*No military bases left
behind.*

*No Private Security
Contractors or other military
support contractors left
behind*

*Full Reparations for the
Iraqi people to restore and
repair their country*

In the US

*Full benefits, and adequate
healthcare (including men-
tal health services) and
other support for returning
servicemen and women.*

*Resources to invest at
home in healthcare, educa-
tion, job creation, infra-
structure*

NO ESCALATION IN AFGHANISTAN!!
bring them ALL home NOW

REFUND OUR COMMUNITIES

imagine.

We, the taxpayers of
the Bay Area, have paid

\$22.6 billion

*as our share of the total
IRAQ WAR SPENDING
approved to date. For the
same amount of money,*

9,284,504

*individuals could have
received Health Care
for One Year*

or,

*that money could
pay for*

323,990

*elementary school
Teachers for One
Year*

or,

3,390,114

*Scholarships for
University Students
for One Year*

The wars are just the tip of the Iceberg

Nobel Prize winning Columbia University Professor **Joseph Stiglitz** and Harvard University Professor **Linda Bilmes** estimate the Iraq War will cost more than \$3 trillion, making it the second-most expensive war in U.S. history, after World War II.....

They say that even if we withdraw all our troops tomorrow, **the war will still keep costing us money for many years to come.**

Direct costs, already spent	\$500 Billion
Future operational costs	\$521 - \$669 Billion
Military equipment	\$100 - \$250 Billion
Recruitment	\$25 - \$30 Billion
Long term medical	\$120 - \$285 Billion
Long term disability	\$276 - \$340 Billion
Opportunity cost for lives lost	\$30 Billion
Higher oil prices	\$230 - \$800 Billion
Interest on the war debt	\$600 - \$800 Billion



The \$542 Billion we are speaking of is just the initial outlay, the Longterm cost is:
\$3,000,000,000,000
THREE TRILLION DOLLARS

WHY CARE ABOUT THE MILITARY BUDGET?

Because it's not right. Some items of note:

- **The Pentagon budget is \$542 billion.** Just how much is that? About one million a minute, or \$17,000 a second. *This is too much.*
- **The U.S. spends almost as much on its military as the rest of the world combined.** We are clearly in a league of our own.
- A common misconception is that higher military spending enhances homeland security, yet the Pentagon budget contains very little money for homeland security, i.e. emergency preparedness and port security.
- A sizeable portion of the Pentagon budget goes to expensive and obsolete weapons.
- Federal budget priorities have profound implications on the state and local level, and for people's lives.
- **We need to broaden the definition of security to include spending for those things that keep us safe at home** — such as conflict prevention, diplomacy and development — for a balanced approach to security.

No one wants another 9/11 type attack. Everyone wants to feel safe. Our military spending is making us less secure.

Large-scale U.S. military intervention and occupation in the Muslim world is at best inadequate, at worst counter-productive, and, on the whole, infeasible.

—Rand Corporation

National Intelligence Director Dennis Blair said economic troubles have surpassed terrorism as the nation's top security threat. —Senate Hearing February 12 2009

Perhaps this is a good time to consider the advice of the last Soviet general to leave Afghanistan on the 20 year anniversary of the Soviet withdrawal (2/14/09):

"Afghanistan taught us an invaluable lesson ... It has been and always will be impossible to solve political problems using force. We should have helped the people of Afghanistan in improving their life, but it was a gross mistake to send troops into the country"

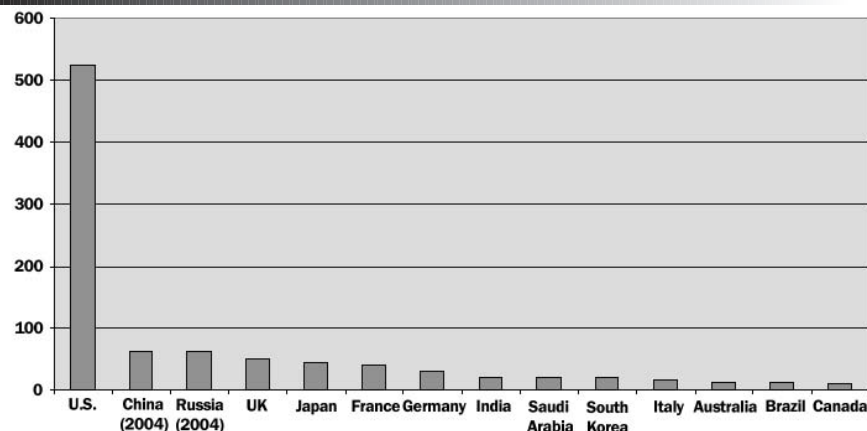
—Retired Red Army General Boris Gromov

No country in the world can begin to compete militarily with the U.S. Still, we continue to pour more and more of our nation's resources into the Pentagon.

The U.S. military budget is more than eight times larger than China and Russia, the next largest spenders.

MILITARY BUDGETS (\$BILLIONS)

THE TOP 14 COUNTRIES | (2005, last available statistics)



IN A LEAGUE OF OUR OWN

Politicians lie when they tell us that that we have neglected the military.

For Fiscal Year 2007 it was \$463 billion*
 For Fiscal Year 2006 it was \$442 billion
 For Fiscal Year 2005 it was \$421 billion
 For Fiscal Year 2004 it was \$399 billion.
 For Fiscal Year 2003 it was \$396 billion.

For Fiscal Year 2002 it was \$343 billion.
 For Fiscal Year 2001 it was \$305 billion.
 Congress increased that budget request to \$310 billion.
 This was up from approximately \$289 billion in 2000.

MILITARY SPENDING ON THE RISE

*These figures *do not* include the costs of war. The wars in Iraq and Afghanistan have been funded through supplemental appropriations. If you include the costs of war, the total for FY07 is \$583 billion.

THE MILITARY INDUSTRY STAYS IN BUSINESS BECAUSE IT CREATES MILLIONS OF JOBS.

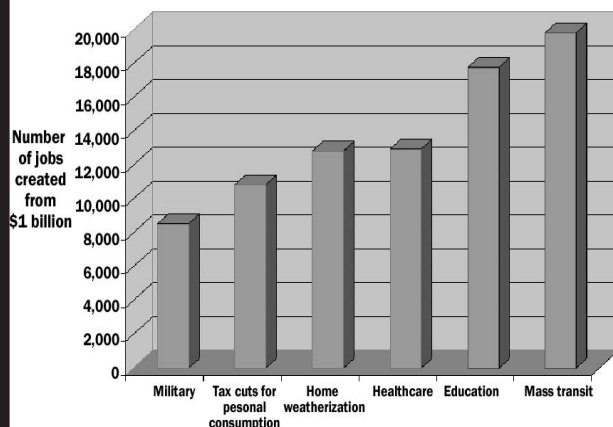
But other projects can do even better. It's time to reinvest our public monies.

The truth is, when we invest federal funds in projects other than military, we generate not just the same number of jobs — but *more* jobs. Substantially more.

In late 2007, economists at the University of Massachusetts published a report¹ that compares the number of jobs generated by investing \$1 billion...

- Investing \$1 billion in the military creates **8,500 jobs**.
- Allocating \$1 billion of tax revenue to tax cuts for personal consumption generates approximately **10,800 jobs**.
- Investing \$1 billion in construction for home weatherization and infrastructure creates **12,800 jobs**; in health care, **12,900 jobs**; in education, **17,700 jobs**; in mass transit, **19,800 jobs**.

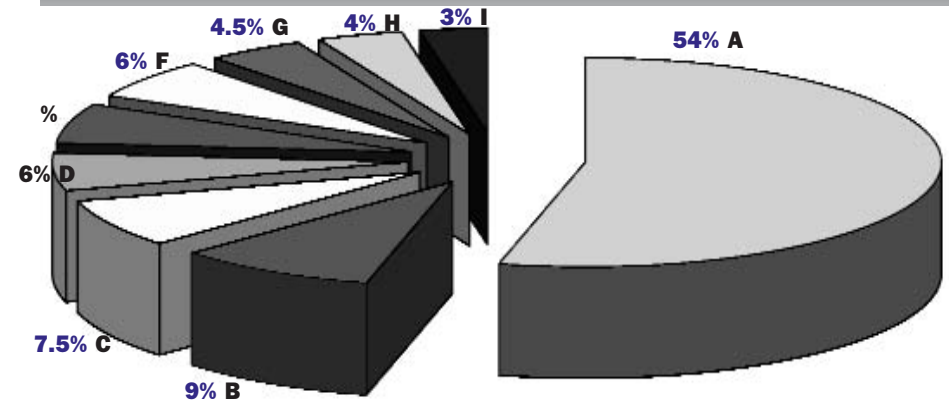
How various sectors generate jobs from \$1 billion investment



The Bottom Line

Investing public dollars in areas other than the military (health care, education, mass transit, or home weatherization) creates *significantly more jobs* than investing that same amount in the military. Investing in education and mass transit creates *twice as many jobs* as investing in the military.

2009 DISCRETIONARY U.S. BUDGET: \$997,338,000,000 (\$997 BILLION)



I. 3%
Transportation + Commerce= (\$27 b)
 Air, water, and ground transportation commerce advancement.

H. 4%
International= (\$39 b)
 Foreign Military Financing/Economic Support Fund, HIV/AIDS, State Department, development & humanitarian assistance.

G. 4.5%
Veterans' services= (\$45 b)
 Hospital and medical care.

F. 6%
Health=(\$58 b)
 National Institutes of Health, Centers for Disease Control, Food and Drug

E. 6%
Income security=(\$59 b)
 Housing, Women, Infants and Children's food program

D. 6%
Justice; Government (\$62 b)
 Law enforcement, courts, prisons, IRS, Congress.

C. 7.5%
Natural resources; Science; Agriculture; Energy (\$75 b)
 Land management, pollution control, water resources, Space, National Science Foundation, Ag research; Energy R&D, conservation.

B. 9%
Education & training, Community Development (\$91 b)
 Elementary, secondary, vocational and higher ed, children and families services; community and rural development, FEMA.

A. 54% Pentagon Department of Defense & nuclear weapons (\$541 b)
 Operations & maintenance: 33% (\$180 billion)
 Training, logistics, facilities management
 Personnel: 23% (\$125 b)
 Pay and benefits
 Procurement: 20% (\$104 b)
 Purchase of weapons systems, goods, services
 Research, development, test & evaluation: 15% (\$80 b)
 New weapons systems
 Military construction: 4% (\$24 b)
 Bases, buildings, family housing, golf courses, gyms
 Nuclear weapons: 3% (\$16 b)
 Research, maintenance, cleanup
 Other: 2% (\$7 b)